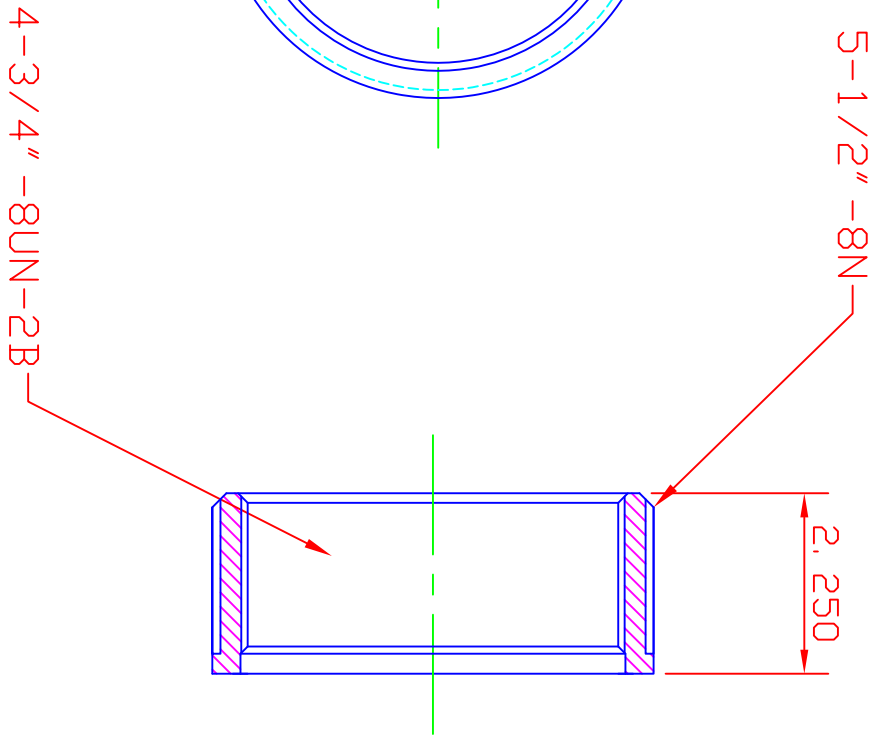
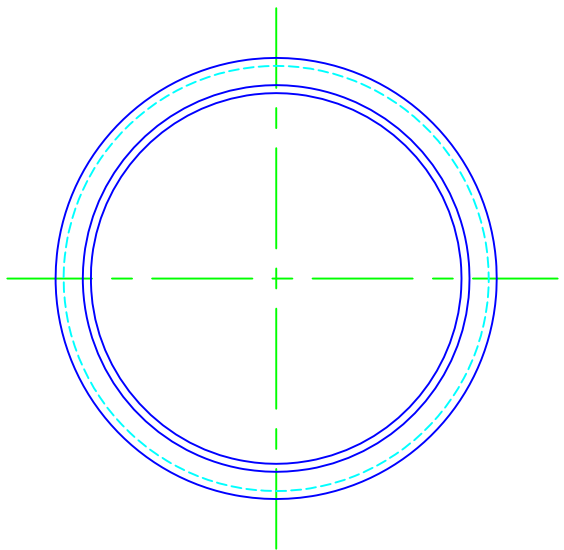


TUBE COLLAR DESCRIPTION	NONE PART NO.
10/28/10 DATE	ASTM A106 MATERIAL



PROPRIETARY DATA

THE INFORMATION OR DATA CONTAINED HEREIN IS PROPERTY OF WESTERN VALVE, INC. AND IS NOT TO BE COPIED, REPRODUCED, DUPLICATED OR DISCLOSED TO OTHERS, IN WHOLE OR IN PART WITHOUT THE PRIOR WRITTEN CONSENT OF WESTERN VALVE, INC.

4750-TUBECOLLAR-2
DRAWING NO.

WESTERN VALVE

114 E. 46th Amarillo, Texas 79105 P. O. Box 2446 806-373-6811 fax 806-373-5971